

EZ iMarquee Specifications



2 Lines 10 Char - Tri-Color



2 Lines 20 Char - Tri-Color



4 Lines 20 Char - Tri-Color

EZ iMarquee Model Specifications			
Part Number	EZiMT-2L10C	EZiMT-2L20C	EZiMT-4L20C
LED Type	TRI-Color LED (Green, Red, Amber)		
LED Life	100,000+ Hours		
Specification	2 Line of 10 Char (2")	2 Line of 20 Char (2")	4 Lines of 20 Char (2")
Max. Viewable Distance	200 Feet with 4" Characters	200 Feet with 4" Characters	400 Feet with 8" Characters
Power	28 watts	55 watts	100 watts
Approvals	UL, CUL, CE (File no. E209355)		
Enclosure	NEMA 12 (Indoor Only)		
Operating Temp.	-20° to 60° C Ambient		
Storage Temp.	-40° to 95° C Ambient		
Humidity	10% to 95% RH, Non-Condensing		
Input Power	110/220 VAC, 47-63Hz		
Electrical Interference	NEMA ICS 2-230 Showering Arc Test		
Electrical Tolerance	ANSI C37.90a-1974 (SWC) Surge With-Stand Capability Test		
Vibration	5 - 55 Hz 2G for 2 hours in the X, Y, and Z axis		
Shock	10G for under 12ms in the X, Y, and Z axis		
Ethernet Comm.	10/100 Base T Ethernet (Master / Slave) (see complete list of protocols supported)		
Serial Comm.	Port 1 RS232; Port 2 RS422/485 (Master / Slave) (see complete list of protocols supported)		
Data Logging	USB or Micro SD Card		
External Dim.	18.9" x 6.2" x 2.8" (479.25 x 156.13 x 69.85mm)	36.225" x 5.67" x 2.769" (920.12 x 144.02 x 70.33mm)	36.577" x 11.720" x 2.750" (929.06 x 297.69 x 69.85mm)
Weight	2.8 lbs	3 lbs	5 lbs

EZ iMarquee Selection Guide and Specifications

2 Lines 40 Char - Tri-Color

2 Lines of 2", 40 Characters Per line
 1 Lines of 4", 20 Characters Per line

4 Lines 40 Char - Tri-Color

4 Lines of 2", 40 Characters Per line
 2 Lines of 4", 20 Characters Per line
 1 Line of 6", 12 Characters Per line
 1 Line of 8", 10 Characters Per line

EZ iMarquee Model Specifications		
Part Number	EZiMT-2L40C	EZiMT-4L40C
LED Type	TRI-Color LED (Green, Red, Amber)	
LED Life	100,000+ Hours	
Specification	2 Line of 40 Char (2")	4 Line of 40 Char (2")
Max. Viewable Distance	200 Feet with 4" Characters	400 Feet with 8" Characters
Power	100 watts	180 watts
Approvals	UL, CUL, CE (File no. E209355)	
Enclosure	NEMA 12 (Indoor Only)	
Operating Temp.	-20° to 60° C Ambient	
Storage Temp.	-40° to 95° C Ambient	
Humidity	10% to 95% RH, Non-Condensing	
Input Power	110/220 VAC, 47-63Hz	
Electrical Interference	NEMA ICS 2-230 Showering Arc Test	
Electrical Tolerance	ANSI C37.90a-1974 (SWC) Surge With-Stand Capability Test	
Vibration	5 - 55 Hz 2G for 2 hours in the X, Y, and Z axis	
Shock	10G for under 12ms in the X, Y, and Z axis	
Ethernet Comm.	10/100 Base T Ethernet (Master / Slave) (see complete list of protocols supported)	
Serial Comm.	Port 1 RS232; Port 2 RS422/485 (Master / Slave) (see complete list of protocols supported)	
Data Logging	USB or Micro SD Card	
External Dim.	72.3" x 5.67 x 2.802" (1836.29 x 144.02 x 71.16mm)	72.867" x 10.771" x 4.000" (1850.82 x 273.58 x 101.6mm)
Weight	15 lbs	30 lbs

EZ iMarquee - 2 Lines 10 Characters

2 Lines 10 Characters - NEMA 12

The 2 Line 10 Char EZ iMarquee can hold up to a maximum of 10 characters (2") per line and features 2 lines of Tri-Color LEDs. EZ iMarquees are enclosed in NEMA 12 extruded aluminum housing with NEMA ICS 2-230 level of electrical noise immunity. All 2 Line 10 Character models are capable of communicating over RS232, RS422/485 and Ethernet. This is a Master and Slave LED Message Display with built-in PLC protocols and data logger.

Characteristics:

Character Height:	2" / 4"
Characters per Line:	10 / 5
Number of Lines:	2 / 1
Visibility:	100' / 200'

2 Lines 10 Characters feature:

- 2 lines of 10 characters max
- Pre-matched LEDs
- 24 Hour Burn-In tested
- International Character Set
- Hang Mounting
- NEMA 12 Housing
- NEMA ICS 2-230
- 110/220 VAC Power Input
- Surge Protection
- 100,000+ Hours Rated Life

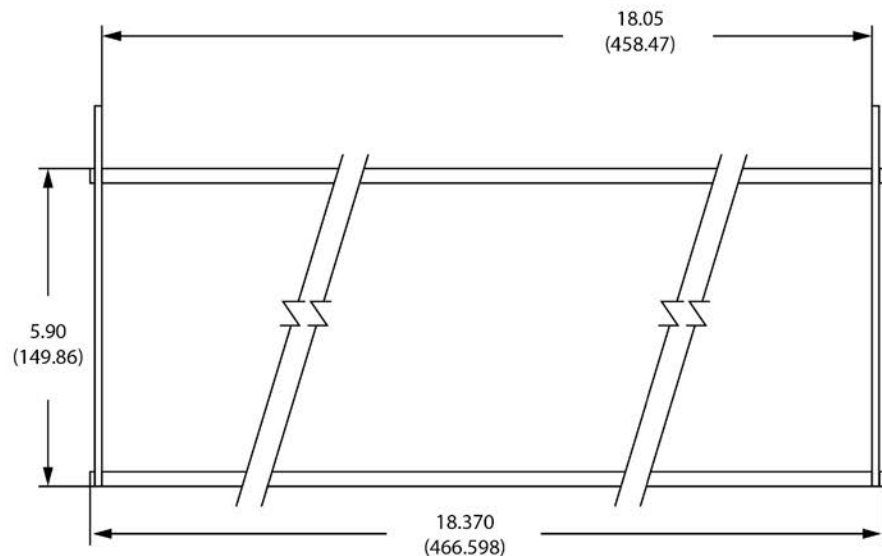
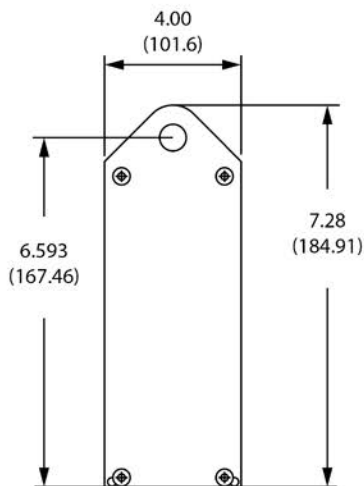
iMarquee features:

- Built-in PLC Protocols to Major Brand PLCs
- Store messages locally on the EZ iMarquee
- No PLC Ladder Logic Changes required to display plant / machine messages or alerts
- Datalogging Built-in
- Webserver with Remote Access
- Built-in Message Database
- Built-in Alarm Database
- Advanced Scripting/Logic within the Marquee Display itself



Model Number	Interface	Del.
<i>EZiMT-2L10C</i>	RS232, RS422/485 and Ethernet included	7 DAY

2 Lines 10 Characters Dimensions



EZ iMarquee - 2 Lines 20 Characters

2 Lines 20 Characters - NEMA 12

The 2 Line 20 Char EZ iMarquee can hold up to a maximum of 20 characters (2") per line and features 2 lines of Tri-Color LEDs. EZ iMarquees are enclosed in NEMA 12 extruded aluminum housing with NEMA ICS 2-230 level of electrical noise immunity. All 2 Line 20 Character models are capable of communicating over RS232, RS422/485 and Ethernet. This is a Master and Slave LED Message Display with built-in PLC protocols and data logger.

Characteristics:

Character Height:	2" / 4"
Characters per Line:	20 / 10
Number of Lines:	2 / 1
Visibility:	100' / 200'

2 Lines 20 Characters feature:

- 2 lines of 20 characters max
- Pre-matched LEDs
- 24 Hour Burn-In tested
- International Character Set
- Hang Mounting
- NEMA 12 Housing
- NEMA ICS 2-230
- 110/220 VAC Power Input
- Surge Protection
- 100,000+ Hours Rated Life

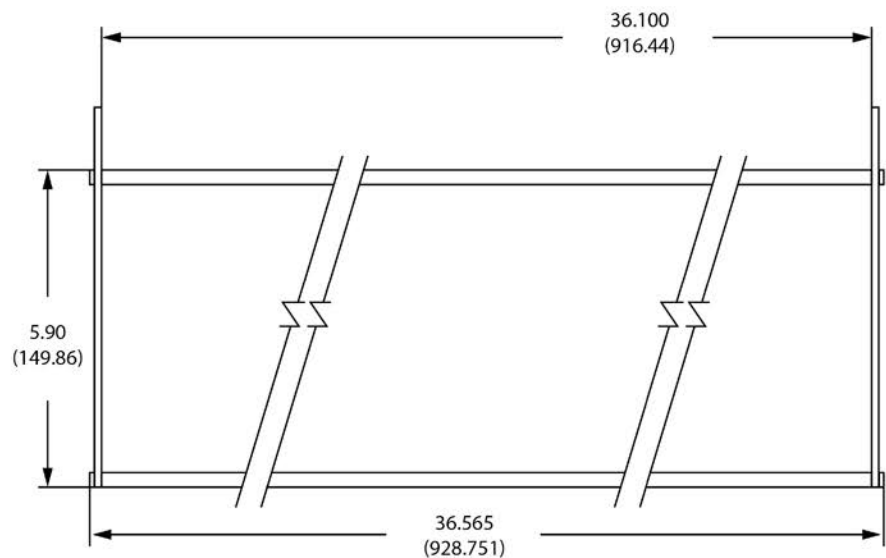
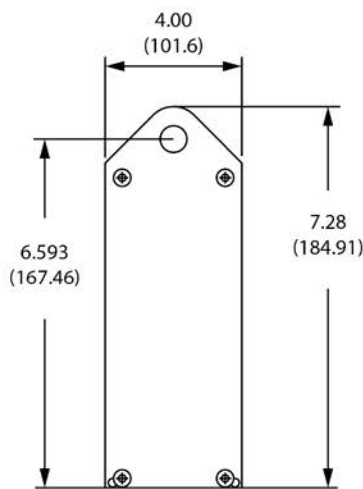
iMarquee features:

- Built-in PLC Protocols to Major Brand PLCs
- Store messages locally on the EZ iMarquee
- No PLC Ladder Logic Changes required to display plant / machine messages or alerts
- Datalogging Built-in
- Webserver with Remote Access
- Built-in Message Database
- Built-in Alarm Database
- Advanced Scripting/Logic within the Marquee Display itself



Model Number	Interface		Del.
EZiMT-2L20C	RS232, RS422/485 and Ethernet included		7 DAY

2 Lines 20 Characters Dimensions



MOUNTING HOLE CENTERS

EZ iMarquee - 2 Lines 40 Characters

2 Lines 40 Characters - NEMA 12

The 2 Line 40 Char EZ iMarquee can hold up to a maximum of 40 characters (2") per line and features 2 lines of Tri-Color LEDs. EZ iMarquees are enclosed in NEMA 12 extruded aluminum housing with NEMA ICS 2-230 level of electrical noise immunity. All 2 Line 40 Character models are capable of communicating over RS232, RS422/485 and Ethernet. This is a Master and Slave LED Message Display with built-in PLC protocols and data logger.

Characteristics:

Character Height:	2" / 4"
Characters per Line:	40 / 20
Number of Lines:	2 / 1
Visibility:	100' / 200'

2 Lines 40 Characters feature:

- 2 lines of 40 characters max
- Pre-matched LEDs
- 24 Hour Burn-In tested
- International Character Set
- Hang Mounting
- NEMA 12 Housing
- NEMA ICS 2-230
- 110/220 VAC Power Input
- Surge Protection
- 100,000+ Hours Rated Life

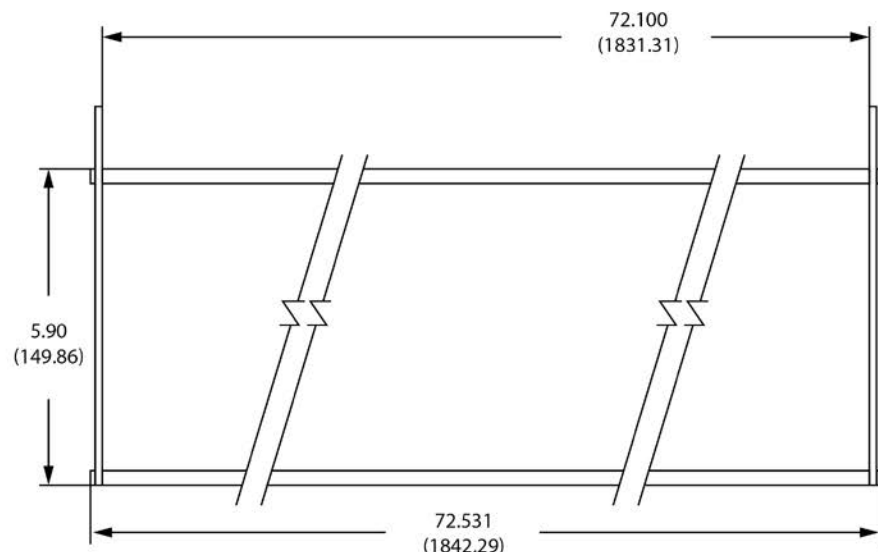
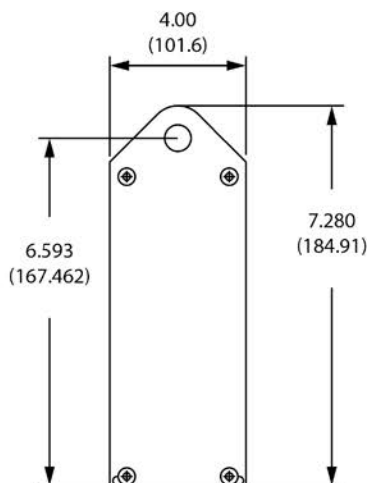
iMarquee features:

- Built-in PLC Protocols to Major Brand PLCs
- Store messages locally on the EZ iMarquee
- No PLC Ladder Logic Changes required to display plant / machine messages or alerts
- Datalogging Built-in
- Webserver with Remote Access
- Built-in Message Database
- Built-in Alarm Database
- Advanced Scripting/Logic within the Marquee Display itself



Model Number	Interface	Del.
EZIMT-2L40C	RS232, RS422/485 and Ethernet included	7 DAY

2 Lines 40 Characters Dimensions



EZ iMarquee - 4 Lines 20 Character

4 Lines 20 Characters - NEMA 12

The 4 Line 20 Char EZ iMarquee can hold up to a maximum of 20 characters (2") per line and features 4 lines of Tri-Color LEDs. EZ iMarquees are enclosed in NEMA 12 extruded aluminum housing with NEMA ICS 2-230 level of electrical noise immunity. All 4 Line 20 Character models are capable of communicating over RS232, RS422/485 and Ethernet. This is a Master and Slave LED Message Display with built-in PLC protocols and data logger.

Characteristics:

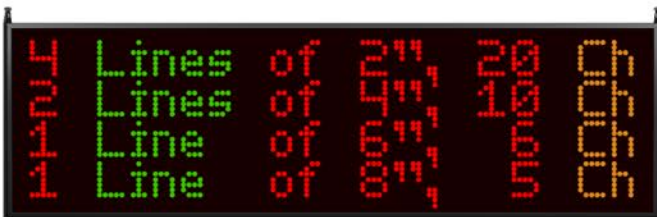
Character Height:	2" / 4" / 6" / 8"
Characters per Line:	20 / 10 / 6 / 5
Number of Lines:	4 / 2 / 1 / 1
Visibility:	100'/200'/300'/400'

4 Lines 20 Characters feature:

- 4 lines of 20 characters max
- Pre-matched LEDs
- 24 Hour Burn-In tested
- International Character Set
- Hang Mounting
- NEMA 12 Housing
- NEMA ICS 2-230
- 110/220 VAC Power Input
- Surge Protection
- 100,000+ Hours Rated Life

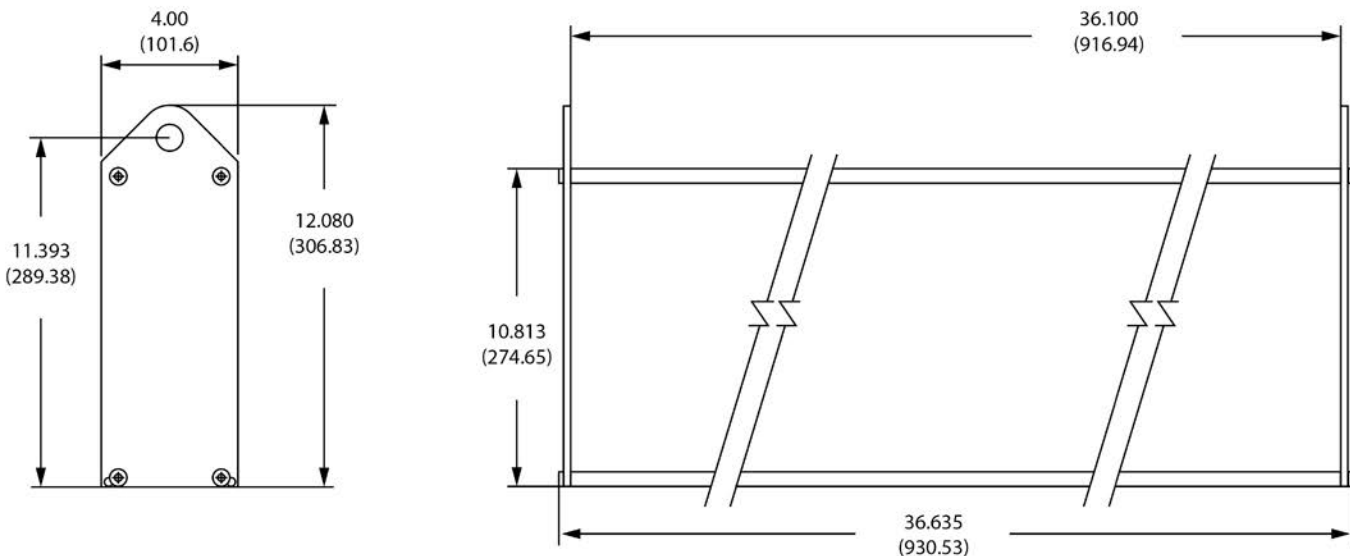
iMarquee features:

- Built-in PLC Protocols to Major Brand PLCs
- Store messages locally on the EZ iMarquee
- No PLC Ladder Logic Changes required to display plant / machine messages or alerts
- Datalogging Built-in
- Webserver with Remote Access
- Built-in Message Database
- Built-in Alarm Database
- Advanced Scripting/Logic within the Marquee Display itself



Model Number	Interface	Del.
EZiMT-4L20C	RS232, RS422/485 and Ethernet included	7 DAY

4 Lines 20 Characters Dimensions



EZ iMarquee - 4 Lines 40 Characters

4 Lines 40 Characters - NEMA 4X

The 4 Line 40 Char EZ iMarquee can hold up to a maximum of 40 characters (2") per line and features 4 lines of Tri-Color LEDs. EZ iMarquees are enclosed in NEMA 4X extruded aluminum housing with NEMA ICS 2-230 level of electrical noise immunity. All 4 Line 40 Character models are capable of communicating over RS232, RS422/485 and Ethernet. This is a Master and Slave LED Message Display with built-in PLC protocols and data logger.

Characteristics:

Character Height:	2" / 4" / 6" / 8"
Characters per Line:	40 / 20 / 13 / 10
Number of Lines:	4 / 2 / 1 / 1
Visibility:	100' / 200' / 300' / 400'

4 Lines 40 Characters feature:

- 4 lines of 40 characters max
- Pre-matched LEDs
- 24 Hour Burn-In tested
- International Character Set
- Hang Mounting
- NEMA 4/4X Outdoor Housing
- NEMA ICS 2-230
- 110/220 VAC Power Input
- Surge Protection
- 100,000+ Hours Rated Life

iMarquee features:

- Built-in PLC Protocols to Major Brand PLCs
- Store messages locally on the EZ iMarquee
- No PLC Ladder Logic Changes required to display plant / machine messages or alerts
- Datalogging Built-in
- Webserver with Remote Access
- Built-in Message Database
- Built-in Alarm Database
- Advanced Scripting/Logic within the Marquee Display itself



Model Number	Interface	Del.
EZiMT-4L40C	RS232, RS422/485 and Ethernet included	7 DAY

4 Lines 40 Characters Dimensions

