

EZTouch I/O Models: Specs & Prices

EZ Series Touch I/O Model Specifications							
Model	6" EZTouch I/O Nano	6" EZTouch I/O Micro (No Analog)	6" EZTouch I/O Micro (Analog Current)	6" EZTouch I/O Micro (Analog Voltage)	6" and 7" EZTouch I/O Flex	8" EZTouch I/O Flex	10" EZTouch I/O Flex
Part Number	EZ3-T6C-E-16-8R	EZ3-T6C-E-24-8-8R	EZ3-T6C-E-24-8-8R-2AI2AOC	EZ3-T6C-E-24-8-8R-4AI4AOV	EZ3-T6C-E-PLC-E EZ3-T7C-E-PLC-E	EZ3-T8C-E-PLC-E	EZ3-T10C-E-PLC-E
I/O	Fixed I/O PLC, 16 DC Inputs, 8 Relay Outputs	Fixed I/O PLC, 24 DC Inputs, 8 DC Outputs, 8 Relay Outputs	Fixed I/O PLC, 24 DC Inputs, 8 DC Outputs, 8 Relay Outputs, 2 Analog In, 2 Analog Out (current)	Fixed I/O PLC, 24 DC Inputs, 8 DC Outputs, 8 Relay Outputs, 4 Analog In, 4 Analog Out (voltage)	Modular I/O PLC with user Selectable Plug-in I/O modules (screw-down)	Modular I/O PLC with user Selectable Plug-in I/O modules (screw-down)	Modular I/O PLC with user Selectable Plug-in I/O modules (screw-down)
Display Type	5.7" TFT (65K Colors)				5.7" TFT (65K Colors) 7" TFT (65K Colors)	8" TFT (65K Colors)	10.4" TFT (65K Colors)
Brightness/Life	400 nits / 75,000 hours@55 °C (White LED)						
Screen Resolution	320 x 240				320 x 240 - 6" 800 x 480 - 7"	640 x 480	800 x 600
Touch Screen	5-wire Analog Resistive Touch Screen						
Num of Display Screens	Up to 999 Limited by display memory						
Display Screen Saver	Yes, Backlight Off						
HMI User Memory	2MB Built-in Flash Memory (Note Due to how HMI memory is consumed in the EZTouch Hardware this is sufficient for 99% of applications)						
Maximum I/O Capacity	24 I/O Max	40 I/O Max	44 I/O Max	48 I/O Max	32 I/O Max (Expandable up to 2048 I/O)	64 I/O Max (Expandable up to 2048 I/O)	64 I/O Max (Expandable up to 2048 I/O)
Maximum Power Consumption	25 Watts @ 24VDC					29 Watts @ 24VDC	
Processors	Two 32 Bit, 40 MHz RISC Processors (One for PLC and One for HMI)						
Total PLC Memory	64 KB (Ladder)						
# of PLC Registers	8192 16Bit, 8192 Variables						
PLC Typical Scan Time	3ms (1K Boolean)						
Real Time Clock/Cal.	Built-in						
Battery Backup	Yes (Required only for Real Time Clock as everything else is stored in Flash)						
PLC LED Indicators	Input Power, CPU Status				Input Power, CPU Status (Run, Program & Run/Program), Low Battery, Program PLC and Run Mode LED indicators		
I/O Supported	Fixed I/O with Status LEDs				EZIO Screw-down modules with status LEDs and Removable Terminal Block; DC / AC / Analog / Relay / Thermocouple / High Speed Counter, PWM, RTD		
Electrical Noise	Nema ICS 2-230 Showering arc; ANSI C37.90a SWC; Level C Chattering Relay Test						
Withstand Voltage	1000VDC (1 minute between power supply input terminal and protective ground)						
Insulation Resistance	Over 20M Ohm between power supply input and terminal and protective ground						
Enclosure	Nema 4, 4x (indoor)						
Operating Temperature	0 to 55°C (32 to 131°F)						
Storage Temperature	-25 to 65°C (-13 to 149°F)						
Vibration	5 to 55Hz 2G's for 2 hours in X,Y, and Z axis						
Shock	10G for under 12ms in the X,Y, and Z axis						
Humidity	10-95% Non-Condensing						
Communication Ports	Built-in USB, RS232 and Ethernet Ports						
Agency Approval	UL, CUL, CE						
External Dimensions	8.048" x 6.146" x 4.325" (204.41 x 156.11 x 109.87mm)					10.894" x 8.748" x 4.363" (276.71 x 222.20 x 110.82mm)	13.584" x 10.594" x 4.299" (345x269.1x109.20mm)
Weight	2 lbs					3.5 lbs	4.5 lbs

EZTouch I/O Nano[®]

EZTouch I/O Nano 6" TFT Color Panels

6" Color EZTouch I/O Nano (5.7" TFT)

EZTouch I/O Nano has a 5.7" diagonal touch screen with 320x240 pixel resolution, White LED display with 75K hrs bulb life and the most innovative and cost effective PLC in its class. It's comprised of 24 I/O including Counters/Timers/Relays/Sequencer.



Features:

HMI:

- Built-in Image Library (4000+ Symbols)
- Advanced Alarm Messages & Screens
- Email & Text Message Alerts
- Trending Graphs
- Data logging
- Up to 999 User designed screens
- Patented Online Edit of HMI (No Machine Downtime, Edit on the Fly)
- Ethernet Port for Remote Access and connectivity to PLCs, AC Drives, or 3rd party devices
- Dual Driver Support to simultaneously interface with Major Brand PLCs or AC Drives (Allen Bradley, ABB, Omron, Siemens, Mitsubishi, Automation Direct etc.)

PLC:

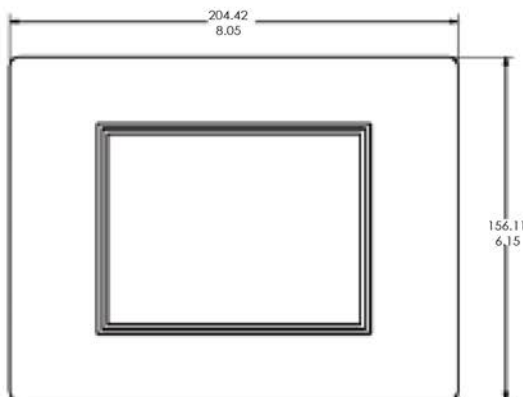
- Fixed I/O: 16 DC inputs (configurable 2 counter Inputs), 8 Relay Outputs (10 Amps each)
- Advanced Math Function Blocks
- Recipe Editing
- Date, Time and Event Based Control
- RS485 Expansion port (up to 2048 I/O)



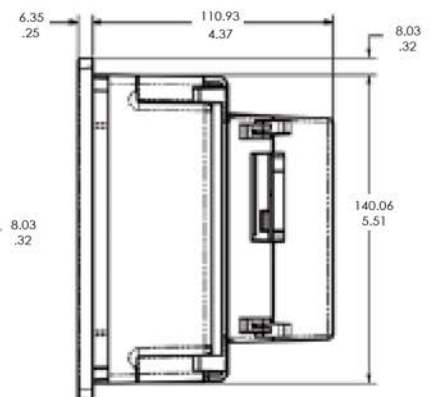
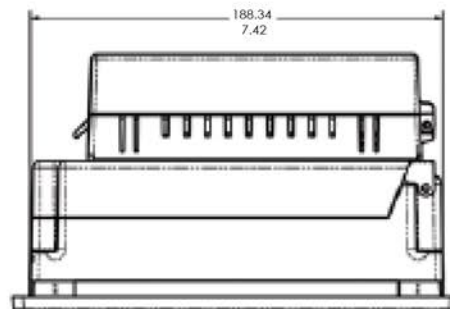
EZ3-T6C-E-16-8R



Remote Monitoring and Control
EZRC Mobile HMI Application
for your Android and Apple Devices



6" TFT Color Dimensions



EZ Touch I/O Micro®

EZTouch I/O Micro 6" TFT Color Panels

6" Color EZTouch I/O Micro (5.7" TFT)

EZTouch I/O Micro has a 5.7" diagonal touch screen with 320x240 pixel resolution, White LED display with 75K hrs bulb life and the most innovative and cost effective PLC in its class. It's comprised of 48 I/O including Counters/Timers/Relays/Sequencer. Big screw-down terminal blocks offer more capabilities in a smaller package, while increasing application flexibility.



Features:

HMI:

- Built-in Image Library (4000+ Symbols)
- Advanced Alarm Messages & Screens
- Email & Text Message Alerts
- Trending Graphs
- Data logging
- Up to 999 User designed screens
- Patented Online Edit of HMI (No Machine Downtime, Edit on the Fly)
- Ethernet Port for Remote Access and connectivity to PLCs, AC Drives, or 3rd party devices
- Dual Driver Support to simultaneously interface with Major Brand PLCs or AC Drives (Allen Bradley, ABB, Omron, Siemens, Mitsubishi, Automation Direct etc.)

PLC:

- 48 Fixed I/O (see I/O Modules for options)
- Auto-tune PID, up to 4 independent loops
- Advanced Math Function Blocks
- Recipe Editing
- Date, Time and Event Based Control
- RS485 Expansion port (up to 2048 I/O)



Remote Monitoring and Control
EZRMC Mobile HMI Application
for your Android and Apple Devices



EZ3-T6C-E-24-8-8R

5.7" TFT Color Touchscreen, Fixed I/O PLC, 24 DC Inputs, 8 DC Outputs, 8 Relay Outputs, Ethernet, USB & micro SD Card slot

EZ3-T6C-E-24-8-8R-2AI2AOC

5.7" TFT Color Touchscreen, Fixed I/O PLC, 24 DC Inputs, 8 DC Outputs, 8 Relay Outputs, 2 Analog In, 2 Analog Out (current), Ethernet, USB & micro SD Card slot

EZ3-T6C-E-24-8-8R-4AI4AOV

5.7" TFT Color Touchscreen, Fixed I/O PLC, 24 DC Inputs, 8 DC Outputs, 8 Relay Outputs, 4 Analog In, 4 Analog Out (voltage), Ethernet, USB & micro SD Card slot

EZTouch I/O Flex®

EZTouch I/O Flex 6" TFT Color Panels

6" Color EZTouch I/O Flex - (5.7" TFT) Overview

EZTouch I/O Flex has a White LED display, 75K hrs, 5.7" diagonal touchscreen with 320x240 pixel resolution and is available with 32 I/O (max) PLC base. I/O modules are not included and can be purchased separately. Please refer to EZ I/O section which lists all the available modules along with part number and pricing. All these panels have a very low profile slim bezel design that provides a small footprint on enclosures, perfect for tight spaces.



Features: HMI:

- 5.7" TFT Color Touchscreens
- Built-in Image Library (4000+ Symbols)
- Advanced Alarm Messages & Screens
- Email & Text Message Alerts
- Trending Graphs
- Data logging
- Up to 999 User designed screens
- Patented Online Edit of HMI (No Machine Downtime, Edit on the Fly)
- Ethernet Port for Remote Access and connectivity to PLCs, AC Drives, or 3rd party devices
- Dual Driver Support to simultaneously interface with Major Brand PLCs or AC Drives (Allen Bradley, ABB, Omron, Siemens, Mitsubishi, Automation Direct etc.)

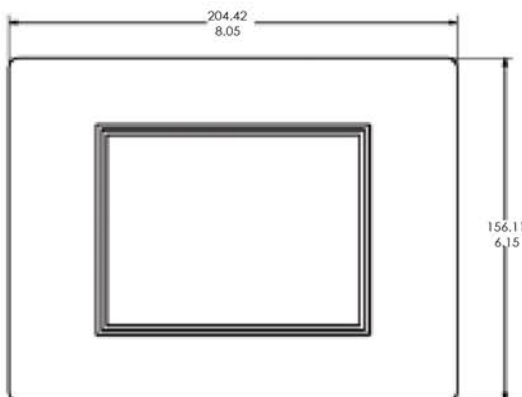
PLC:

- Flexible I/O (Digital, Analog, High speed counters, Temperature, PWM)
- Auto-tune PID, up to 8 independent loops
- Advanced Math Function Blocks
- Recipe Editing
- Date, Time and Event Based Control
- RS232/422/485 Expansion port (up to 2048 I/O)
- Ethernet Port (Modbus Master for AC Drive or 3rd Party Device)

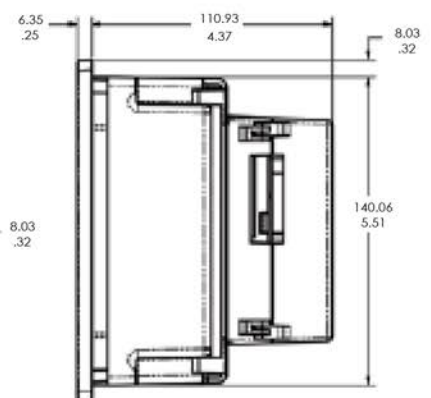
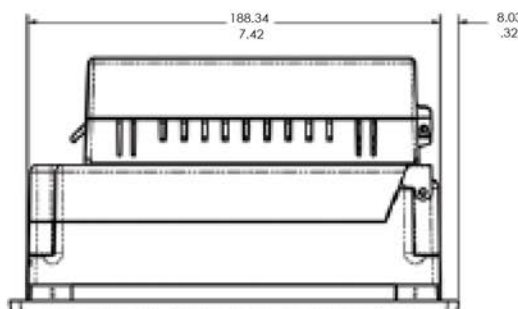
Remote Monitoring and Control EZRMC Mobile HMI Application for your Android and Apple Devices



EZ3-T6C-E-PLC-E



6" TFT Color Dimensions



EZ Touch I/O Flex®

EZTouch I/O Flex 7" TFT Color Panels

7" Color EZTouch I/O Flex - (7" Wide TFT) Overview

EZTouch I/O Flex has a White LED display, 75K hrs, 7" diagonal touchscreen with 800 x 480 pixel resolution and is available with 32 I/O (max) PLC base. I/O modules are not included and can be purchased separately. Please refer to EZI/O section which lists all the available modules along with part number and pricing. All these panels have a very low profile slim bezel design that provides a small footprint on enclosures, perfect for tight spaces.

Features:

HMI:

- 7" TFT (Wide) Color Touchscreens
- Built-in Image Library (4000+ Symbols)
- Advanced Alarm Messages & Screens
- Email & Text Message Alerts
- Trending Graphs
- Data logging
- Up to 999 User designed screens
- Patented Online Edit of HMI (No Machine Downtime, Edit on the Fly)
- Ethernet Port for Remote Access and connectivity to PLCs, AC Drives, or 3rd party devices
- Dual Driver Support to simultaneously interface with Major Brand PLCs or AC Drives (Allen Bradley, ABB, Omron, Siemens, Mitsubishi, Automation Direct etc.)

PLC:

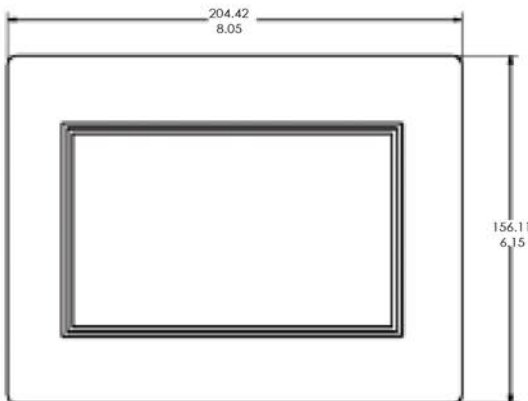
- Flexible I/O (Digital, Analog, High speed counters, Temperature, PWM)
- Auto-tune PID, up to 8 independent loops
- Advanced Math Function Blocks
- Recipe Editing
- Date, Time and Event Based Control
- RS232/422/485 Expansion port (up to 2048 I/O)
- Ethernet Port (Modbus Master for AC Drive or 3rd Party Device)



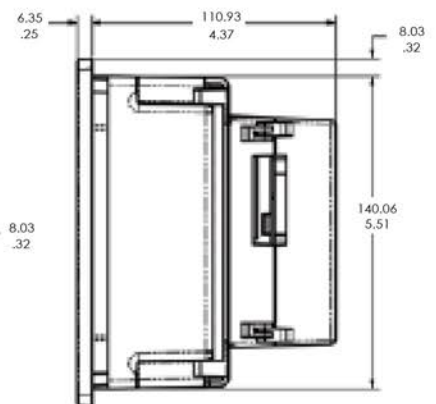
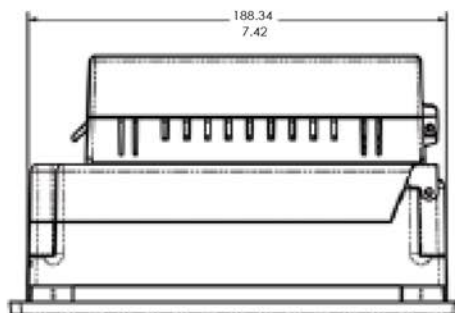
EZ3-T7C-E-PLC-E



Remote Monitoring and Control
EZRM Mobile HMI Application
for your Android and Apple Devices



7" TFT Color Dimensions



EZTouch I/O Flex®

EZTouch I/O Flex 8" TFT Color Panels

8" Color EZTouch I/O Flex (8" TFT)

These panels have a 8" diagonal touchscreen, with a 640x480 pixel resolution and feature a TFT LCD (liquid crystal display) and is available with 64 I/O (max) PLC base. I/O modules are not included and can be purchased separately. Please refer to EZI/O section which lists all the available modules along with part number and pricing. All models feature a low-profile slim bezel design that provides a small footprint on your enclosure.



Remote Monitoring and Control
EZRM Mobile HMI Application
for your Android and Apple Devices



Features:

HMI:

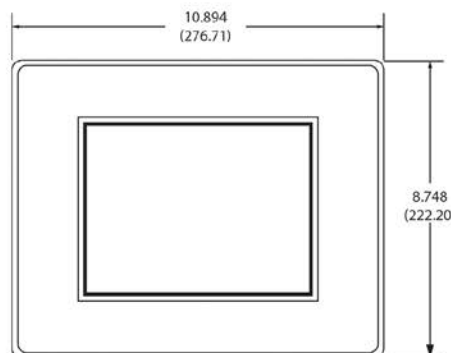
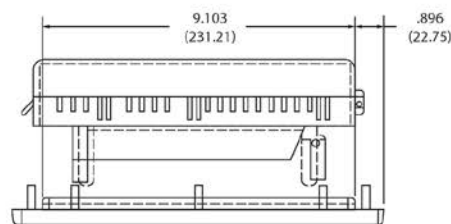
- 8" TFT Color Touchscreen
- Built-in Image Library (4000+ Symbols)
- Advanced Alarm Messages & Screens
- Email & Text Message Alerts
- Trending Graphs
- Data logging
- Up to 999 User designed screens
- Patented Online Edit of HMI (No Machine Downtime, Edit on the Fly)
- Ethernet Port for Remote Access and connectivity to PLCs, AC Drives, or 3rd party devices
- Dual Driver Support to simultaneously interface with Major Brand PLCs or AC Drives (Allen Bradley, ABB, Omron, Siemens, Mitsubishi, Automation Direct etc.)

PLC:

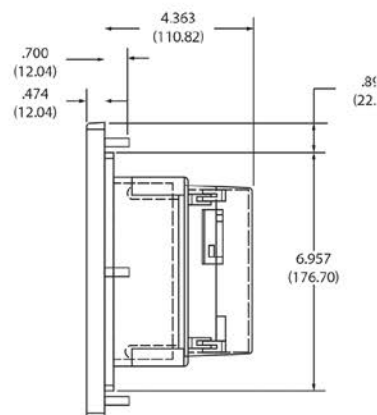
- Flexible I/O (Digital, Analog, High speed counters, Temperature, PWM)
- Auto-tune PID, up to 8 independent loops
- Advanced Math Function Blocks
- Recipe Editing
- Date, Time and Event Based Control
- RS232/422/485 Expansion port (up to 2048 I/O)
- Ethernet Port (Modbus Master for AC Drive or 3rd Party Device)



EZ3-T8C-E-PLC-E



8" TFT Color Dimensions



EZ Touch I/O Flex[®]

EZTouch I/O Flex 10" TFT Color Panels

10" Color EZTouch I/O Flex (10.4" TFT)

These panels have a 10.4" diagonal touch screen, with a 800x600 pixel resolution and feature a TFT LCD (liquid crystal display) and is available with 64 I/O (max) PLC base. I/O modules are not included and can be purchased separately. Please refer to EZI/O section which lists all the available modules along with part number and pricing. All models feature a low-profile slim bezel design that provides a small footprint on your enclosure.



Remote Monitoring and Control
EZRC Mobile HMI Application
for your Android and Apple Devices



Features:

HMI:

- 10.4" TFT Color Touchscreen
- Built-in Image Library (4000+ Symbols)
- Advanced Alarm Messages & Screens
- Email & Text Message Alerts
- Trending Graphs
- Data logging
- Up to 999 User designed screens
- Patented Online Edit of HMI (No Machine Downtime, Edit on the Fly)
- Ethernet Port for Remote Access and connectivity to PLCs, AC Drives, or 3rd party devices
- Dual Driver Support to simultaneously interface with Major Brand PLCs or AC Drives (Allen Bradley, ABB, Omron, Siemens, Mitsubishi, Automation Direct etc.)

PLC:

- Flexible I/O (Digital, Analog, High speed counters, Temperature, PWM)
- Auto-tune PID, up to 8 independent loops
- Advanced Math Function Blocks
- Recipe Editing
- Date, Time and Event Based Control
- RS232/422/485 Expansion port (up to 2048 I/O)
- Ethernet Port (Modbus Master for AC Drive or 3rd Party Device)



EZ3-T10C-E-PLC-E

